



EOLO GTE10

SPECIFIC FEATURES

- TEYME's High Technology Mistblower and Low Power Consumption.
- Recommended for Accurate Treatment enabling Higher Advance Speed and ideal Anti-compactness results. IDS-2001 Pump 185 l/min, made in Brass.
- Air Unit 1015mm "GTE10A" model, 4 Channels. Special ZAMAK's Clutch and 10-blade fan working at reaction with low consumption and high performance.
- "Special GTE10" 2-Speed + neutral point Gearbox, made in Aluminium. Stainless Steel Blower Housing.
- 44 Double Nozzle-holders, anti-drip, revolving, with stopcock and ceramic nozzles.
- Recommended Tractors, from 80 HP onwards.

GENERAL FEATURES

- Available in 2000L (model with hood in option), 3000L and 4000L capacities.
- S-2 Electrical control model, Auto-compensated ON-OFF 2-way system, with compensated return with board placed on tractor's cab and pressure regulator.
- High-quality COMET brand diaphragm Pumps, IDS-2001 series. Other models and brands available in option.
- 1015 Air Units (with clutch) from 30 to 44 nozzle-holders (depending on models and other features in option)
- Special "GTE10" sturdy and adapted gear box, 2-Speed with Neutral Point.
- Sturdy and Reinforced Frame, manufactured in Stainless Steel, "COMBI" system, with special treatment, with primer and special paint of controlled micronage.
- 3 Stirring Levels in 2000, 3000 and 4000L machines.
- 3 Filtering Levels on standard series (Filling mouth, Suction Filter and Pressure Filtering Central).
- Oversized Axle, Fixed with Brake and Reinforced Tyres. Adjustable axles, elbowed and special ones available to meet different kind of needs.
- Adjustable jack-wheel.
- On Standard series, Equipment complying with ISO regulations (protections, rinsing circuit, etc.).
- Road Traffic kit (according to DGT regulation) consisting of Hydraulic Brake, Parking Brake (wedges) and Road Traffic Light. (EUROPEAN SERIES).

PERFORMANCES

- Advance speed, up to 10 km/h, overcoming in more than a 50 % the conventional mistblowers.
- Shake of the vegetation allowing a better distribution and penetration of the product.
- Reduction of the drift, protecting the environment and saving product.
- Thanks to air outlet width, we improve quality and speed of treatment.
- Avoidance of the big compactness of the leaves (screen effect) by means of the controlled speed of the air.
- We achieve by means of our technique that the whole air arrives wet and with turbulences to vegetation.
- Treatment with up to 50% improvement in Ha/h productivity.
- **THESE PERFORMANCES ENABLE A QUICK RECOVERY OF THE INVESTMENT.**

Thanks to all these factors, we achieve a top quality air, radial and with turbulences.

APPLICATIONS

- Conventional, integrated, ecological and biodynamic treatments.
- Dosages at low, medium and high volume (from 350 to 4000 l/h).
- Spraying with high concentrations of wettable powder.
- Applications on widths up to 12 meters for big sized trees.
- Application on heights up to 12 meters.

TEYME'S RANGE OF PRODUCTS

Mistblowers

Pneumatic
sprayers

Dusters

Boom sprayers

Sprayers

Humidification
and ventilation



Pol. Ind. SAU III · C/ Girona, 2
25131 TORRE-SERONA (Lleida) · SPAIN
T: (+34) 973 75 00 33 · F: (+34) 973 75 15 81
comercial@teyme.es
www.teyme.es



DEALER:

TEYME reserves its own right to modify, without prior notice, features and performances of the models on the basis of its policy of constant improvement.

EOLO GTE10

TALL TREES AND EXTENSIVE FARMS

MISTBLOWERS



TOP QUALITY
Teyme equipment offers the highest level of satisfaction thanks to our great level of self-demand.



R&D
Investing on research and development is the basis of our equipment's success.



RESPECTFUL
We care for the Earth, we care for the people.



HIGHER PERFORMANCE IN LESS TIME
REDUCTION OF CONSUMPTION
Ø1015mm. WITH 4 CHANNELS
SPEED UP TO 10 KM/H



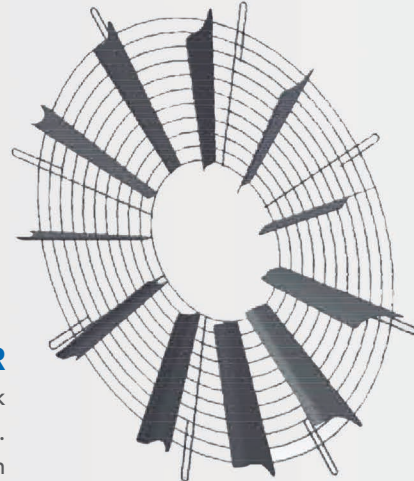
T.GTE10.E / 1021

FEATURES OF AIR UNITS



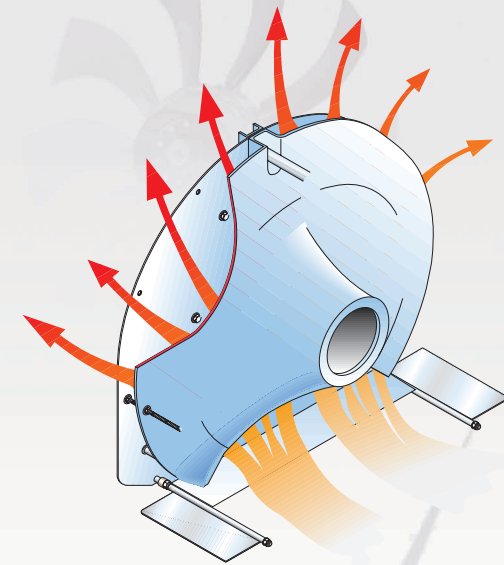
FAN

LOW CONSUMPTION 10-blade SICKLE-profile fan, variable pitch (8 adjustment points). Special patented TEYME design.



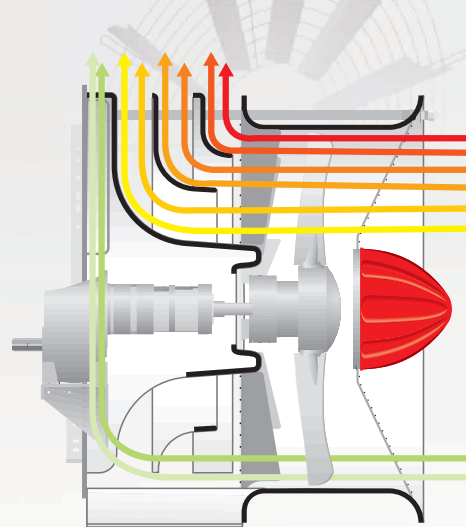
DEFLECTOR

11-blade static back deflector, made of steel. It creates a radial air with turbulences. 50%-50% proportional air distribution.



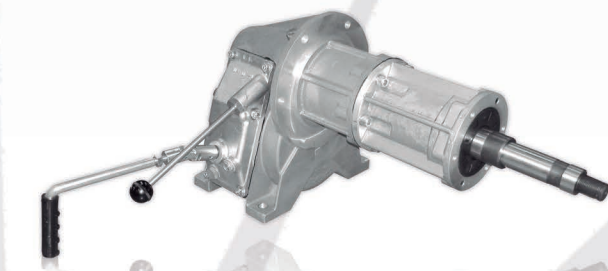
TURBO SUB-CHANNEL NUM. 4

Lower TURBO sub-channel recovers, without extra consumption, 16.5% of the air, which in other mistblowers is wasted and, at the same time, it increases the air flow, improving the drifting effect due to the advance speed.



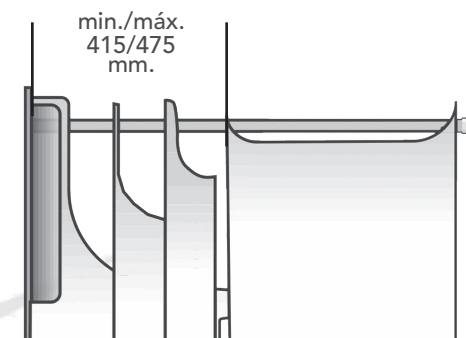
4-CHANNEL BLOWER HOUSING

Ø1015x500mm aerodynamic blower housing made in stainless steel. 4 channels A, B, C, D. This system increases the air production by 17%, preventing the quick top air from colliding with the slow one of the central area. Exit of air adjustable between 22 m/s and 44 m/s.



GEARBOX AND CLUTCH

2-speed + neutral point gearbox. Special TEYME rate. Prepared to transmit huge power. EASYCHANGE fast connector included. Special ZAMAK's 3-shoe automatic clutch, smooth and progressive starting.



ADJUSTMENT BY SLIDING GUIDES

A, B, C channels width can be adjusted by means of sliding guides, min. 415mm, max. 475mm and air speed between 22m/sec to 44m/sec., in order to adapt the treatment to every need of application. TEYME's exclusive advantage. The channels width allows faster advance speeds (50% more than standard mistblowers).



EQUIPMENT

Series fittings and options

FRAME

Sturdy and oversized frame made in steel. Adjustable short drawbar (6 positions) for the coupling of hydraulic (clevis) and chain tractors. Bumper. Air unit protector. Jack-wheel. Extendable side-footing. Mud scraper.

NOZZLE-HOLDERS

44 ADOGC double nozzle-holders, anti-drip, revolving and with stop cock; with 2 ceramic nozzles for each nozzle-holder, distributed in A, B and C channels.

PUMPS

4 diaphragms
185 L/min
50 bar
(By request other options)

AXLES WITH BRAKES

Axles fitted with hydraulic service brake (only Spain).

Models	Straight fixed axle		
	Track 1350	Track 1400	Track 1650
2000 l.	■		
3000 l.		■	
4000 l.			■

FILTERS 3 LEVELS

1 BASKET-type filter on the mouth for tank filling.
1 suction filter for pump.
1 in-line pressure filtering central.

MIXING

3 levels which achieve a steady and homogeneous mixing in low, medium and high pressure. Full sweeping of the bottom.

TANKS (EC regulations)

High density polyethylene tanks with uniform thickness. Include: Main tank with two collapsible lids, circuit rinsing tank (10%) and 18L clean water tank. Capacities: 2000L, 3000L and 4000L. Exclusive design by TEYME, according to ISO regulations 9367 and 13440. TEYME patent 156008. Against whirling effect. Total emptying even on 10% slopes (absence of dead areas). Easy rinsing.

GAUGES

2 transparent gauges (1 on front + 1 on side).

ENVIRONMENTAL KIT

EUROPA SERIES
Circuit-rinsing kit, as per CE norms (Spain only).

EOLO GTE10

OUTPUT TABLE

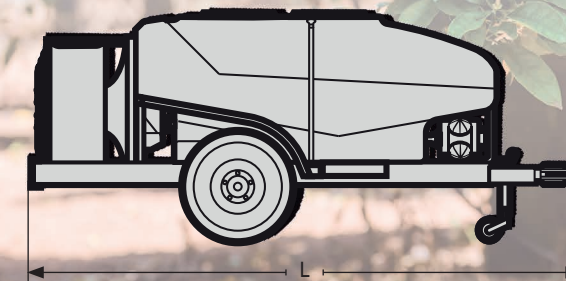
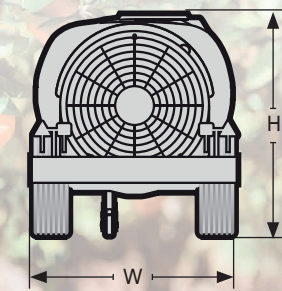
GTE10 AIR UNIT, DYNAMIC TESTS +/- 6 %

FAN POSITION	GEAR BOX SPEED	A 30°		B 35°		C 40°		D 45°	
		I	II	I	II	I	II	I	II
RPM PTO									
400	M3/H	56.000	66.000	63.500	77.500	75.000	91.000	85.500	103.500
	HP	8,5	16,5	12	23	12,5	27	20,5	47
480	M3/H	69.000	81.500	79.000	96.000	93.000	113.000	106.000	128.500
	HP	14,5	28	21	38,5	23	48	39	75,5
540	M3/H	76.500	90.000	87.000	106.500	103.000	125.500	117.000	142.500
	HP	19,5	39,5	28	55,5	31,5	71	51	103,5

EQUIPMENT'S PERFORMANCES

RESULTS OBTAINED AT 480 RPM OF PTO

	2000		3000		4000	
	2ª velocidad	2ª velocidad	2ª velocidad	2ª velocidad	2ª velocidad	2ª velocidad
Fan (inclination degrees)	35°	40°	35°	40°	35°	40°
Air flow (m3/h)	96.000	113.000	96.000	113.000	96.000	113.000
Required power for the Air Unit (HP)	41	48	41	48	41	48
Required power for the pump at 10 bar (model/HP)	6	6	7	7	7	7
Required power for trailing the machine on flat ground (HP)	10	10	12	12	15	15
ROUGH TOTAL REQUIRED POWER (HP)	57	64	60	67	63	70



WEIGHTS AND SIZE

Model	Tank (liters)	L mm	W mm	H mm	Tare kg
EOLO-GTE10 2000	2.000	3.760	1.627	1.605	1.093
EOLO-GTE10 3000	3.000	4.010	1.825	1.840	1.389
EOLO-GTE10 4000	4.000	4.010	2.025	2.040	1.564