



### Pump

- Horizontal construction, a threaded inlet and outlet for standard installation
- Shaft seal is mechanical seal, different friction couples will be selected for different medium.
- Wet-end of pump are made in stainless steel 304 or 316
- Single phase motor mounted thermal protector (three-phase motor can be based on customer requirements to install thermal protector)
- Insulation class F, Protection IP55
- CE certification approval

### Application

It is a widely used to convey industrial liquid such as mineral water, soft water, pure water, light oil, circulation and boosting for other weak chemical liquid.

1. Water treatment
2. Industrial cleaner and dishwasher
3. Pressure boosting for the water on processing line garden sprinkler
4. Heating and cooling for the eater on industrial processing line. Cooling, lubrication of machine tool.
5. Air-conditioning system, water chiller
6. Air freshening, moistening equipment (soft water)
7. Water supply and boosting (drinking water, weak chlorine water)
8. Fertilization/metering system.

### Operating Conditions

Medium temperature:

- Low temperature: -20 ... +15°C
- Standard model: +15 ... +70°C
- High temperature: +70 ... +104°C

Environmental Temperature: less than 50°C

Max. operating pressure: 0.8MPa

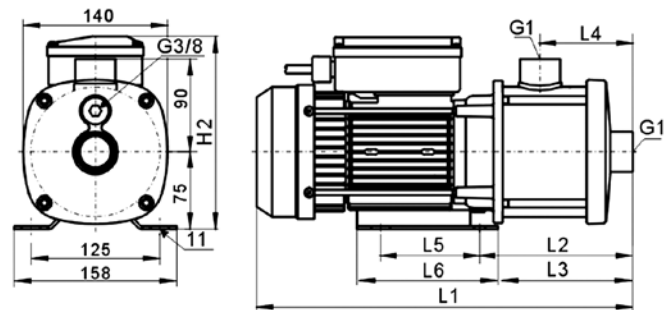
### Pump Identification



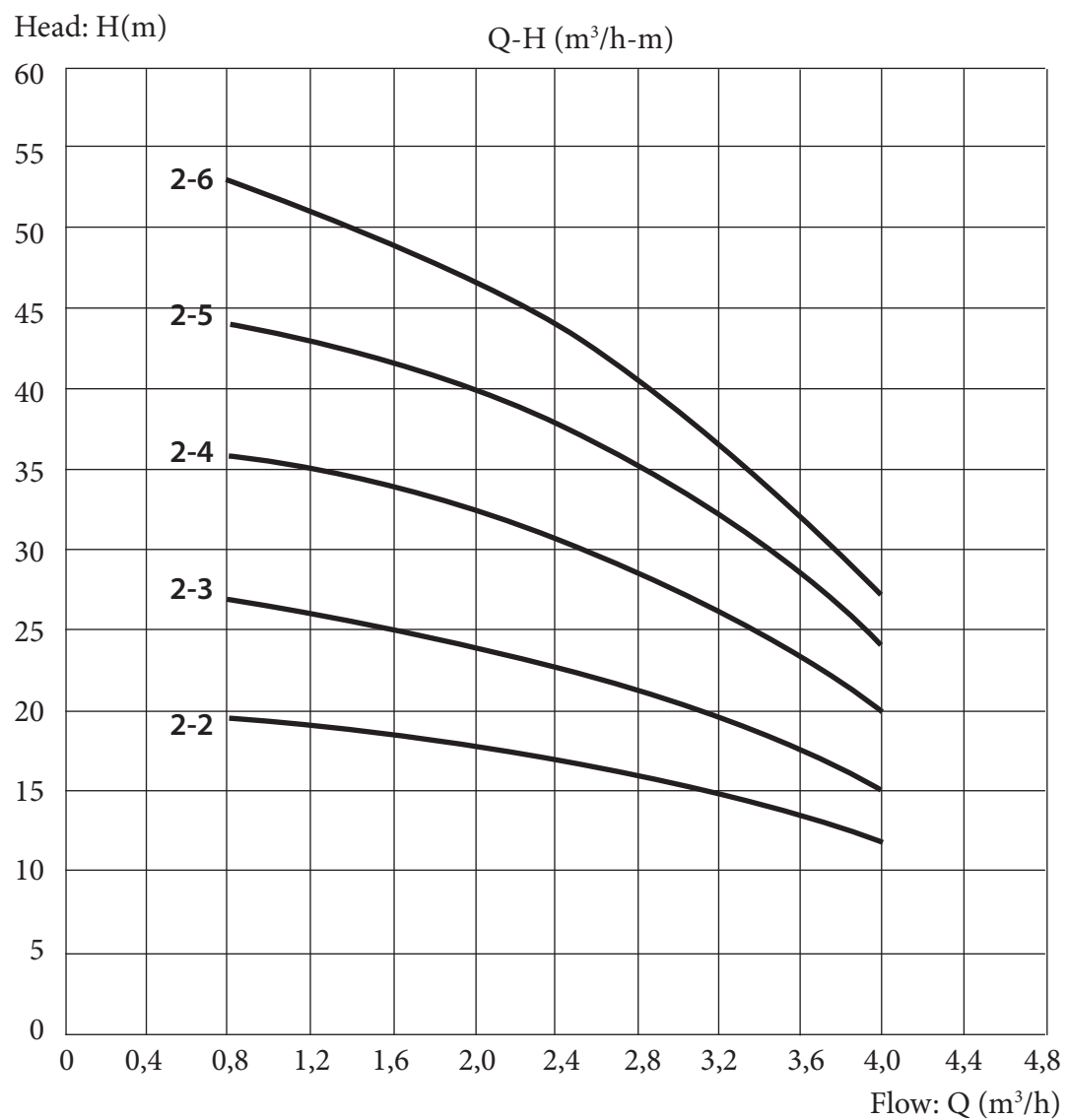
## Performance Tables and Dimensions

Model	P2(kW)	Q(m <sup>3</sup> /h)	0,8	1,2	1,6	2	2,4	2,8	3,2	3,6	4
XHC 2-2	0,25	H(m)	19,5	19	18,5	18	17	16,5	14,5	13,5	12
XHC 2-3	0,37		27	26	25	24	23	22	20	17	15
XHC 2-4	0,55		36	35	34	32	31	29	27	23	20
XHC 2-5	0,55		44	43	42	40	38	36	33	28,5	24
XHC 2-6	0,75		53	51,5	49	47	44	41	37	32	27

Model	Size							
	Single Phase	Three Phase	L1	L2	L3	L4	L5	L6
	H2							
XHC 2-2(T)	187	174	318	131	113	72	96	136
XHC 2-3(T)	187	174	318	131	113	72	96	136
XHC 2-4(T)	187	174	365	149	131	90	96	136
XHC 2-5(T)	187	174	383	167	143	108	96	136
XHC 2-6(T)	200	188	416	203	179	144	96	155

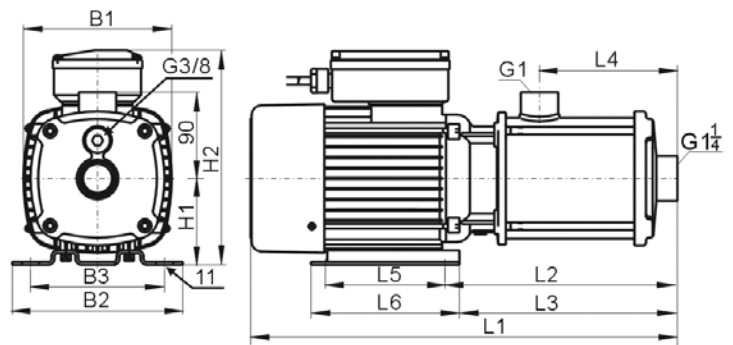


## Characteristic Curves



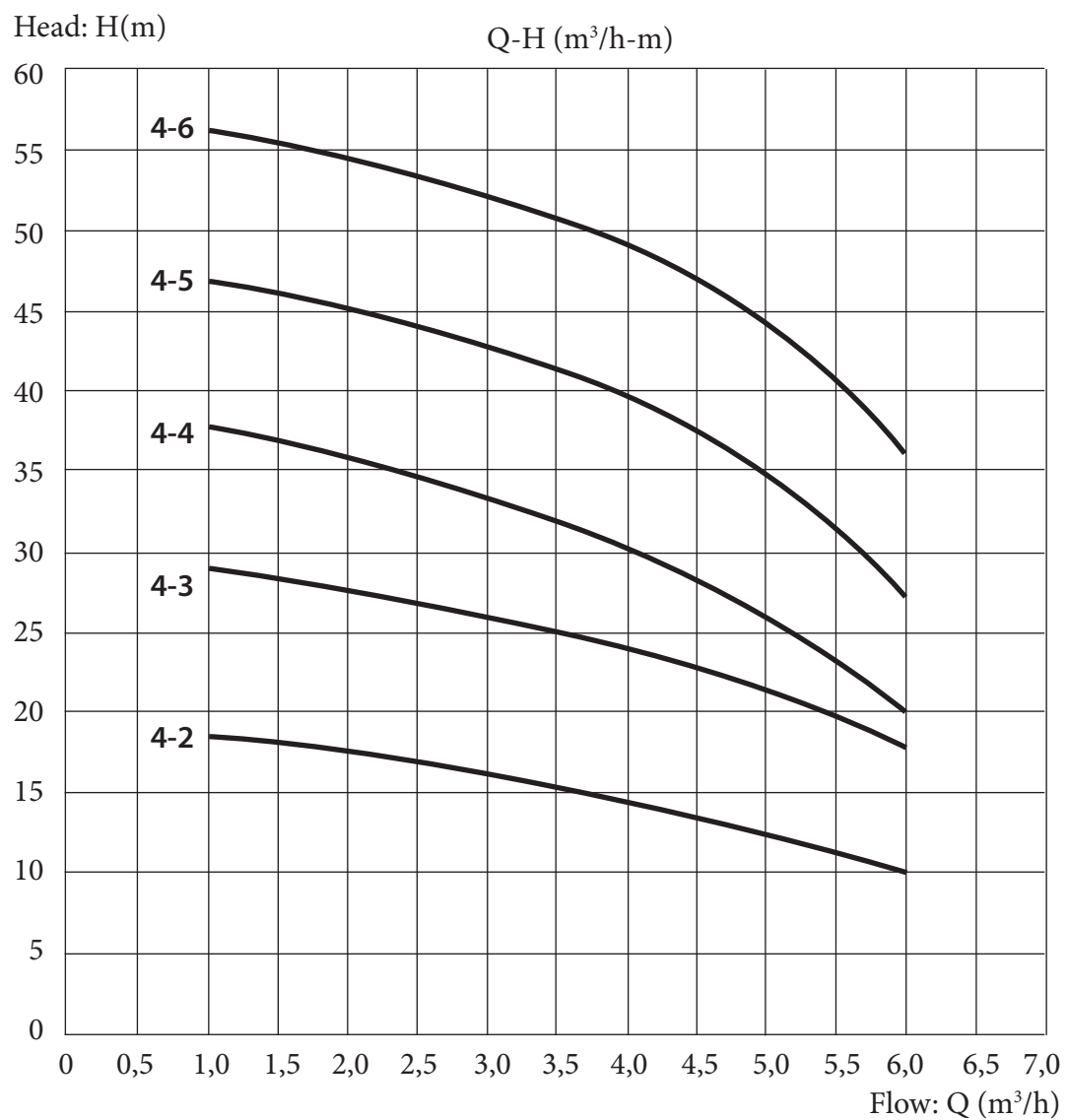
## Performance Tables and Dimensions

Model	P2(kW)	Q(m <sup>3</sup> /h)	1	1,5	2	2,5	3	3,5	4	4,5	5	5,5	6
XHC 4-2	0,37	H(m)	18,5	18	17,5	17	16	15,5	15	13,5	13	11	10
XHC 4-3	0,55		29	28,5	28	27	26,5	25,5	25	23	22	20	18
XHC 4-4	0,75		38	37	36	34,5	33,5	32	30	28	26	24	20
XHC 4-5	1		47	46	45	44	42,5	41	40	38	35	32	27
XHC 4-6	1,3		56,5	55	54	53	52,5	51	49	47	44	41	36



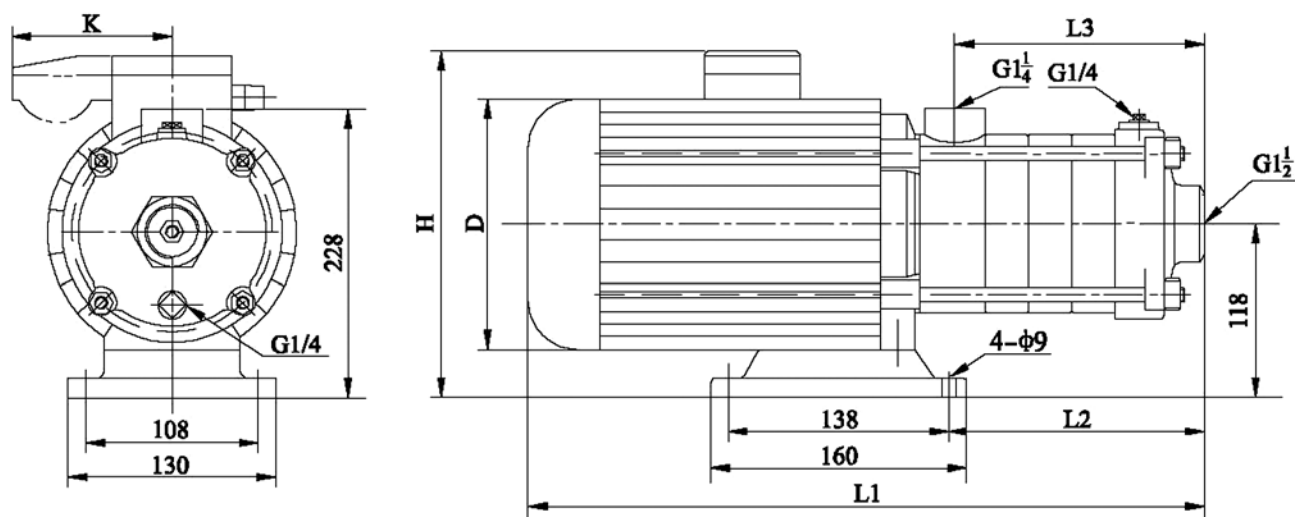
Model	SIZE											
	B1	B2	B3	H1	SINGLE PHASE	THREE PHASE	L1	L2	L3	L4	L5	L6
					H2							
XHC 4-2(T)	140	158	125	75	187	174	318	131	113	72	96	136
XHC 4-3(T)	140	158	125	75	187	174	347	131	113	72	96	136
XHC 4-4(T)	140	158	125	75	200	188	362	149	125	90	96	155
XHC 4-5(T)	140	158	140	75	200	188	380	167	143	108	96	155
XHC 4-6(T)	155	178	125	90	224	211	446	243	228	144	125	155

## Characteristic Curves



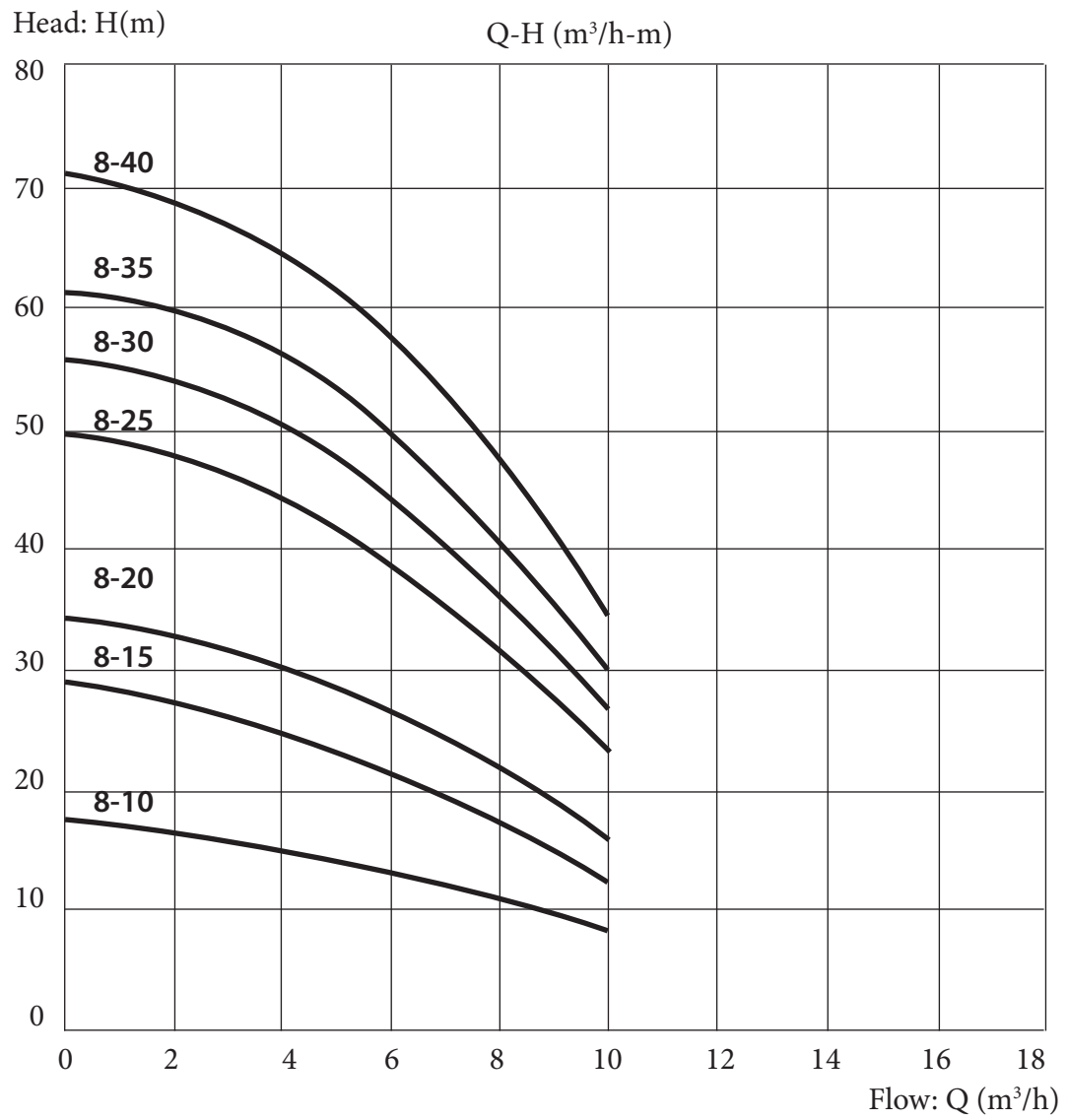
## Performance Tables and Dimensions

Model	Power(P2) kW	Q(m <sup>3</sup> /h)	4	5	6	7	8	9	10
XHC 8-10	0,55	H(m)	15	14	13	12,5	12	9	8
XHC 8-15	0,75		25	23	22	21	20	14	12
XHC 8-20	1		32	29	27	25	24	21	17
XHC 8-25	1,5		43	40	38	34	27	25	20
XHC 8-30	1,85		50	46	44	40	36	30	26
XHC 8-35	2,2		56	51	48	44	43	35	28
XHC 8-40	2,2		65	57,5	57	50	48	42	34



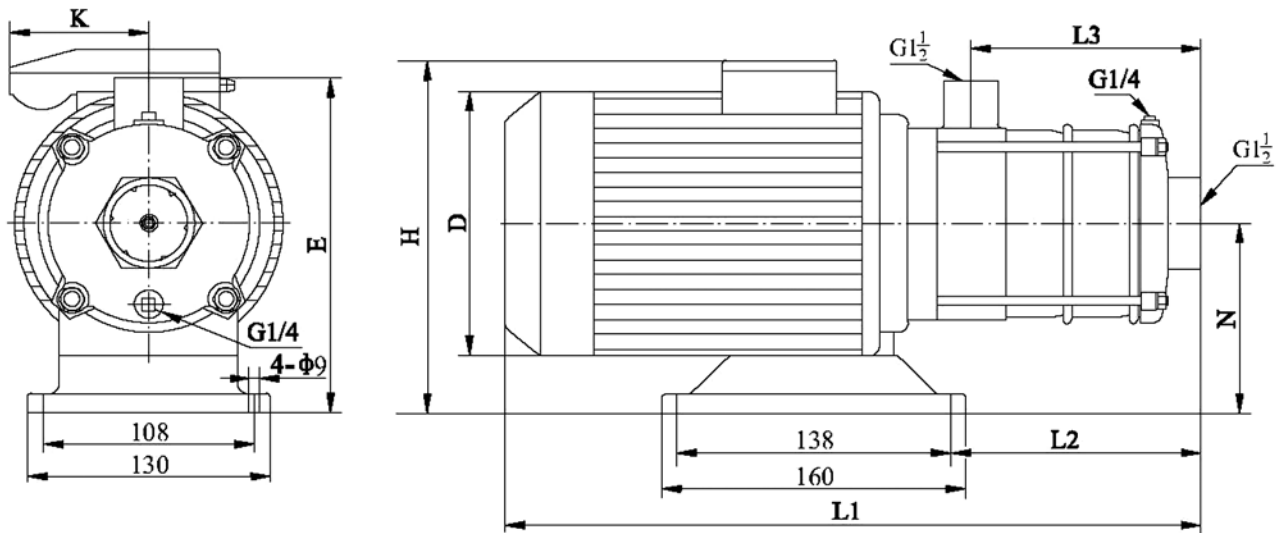
Model	Size						Weight(kg)
	L1	L2	L3	D	H	K	
XHC 8-10	395	126	108	170	230/265	/100	20
XHC 8-15	395	126	108	170	230/265	/100	20
XHC 8-20	395	126	108	170	230/265	/100	20
XHC 8-25	395	126	108	170	230/265	/100	20
XHC 8-30	425	156	138	170	230/265	/100	25
XHC 8-35	425	156	138	170	230/265	/100	25
XHC 8-40	490	186	168	180	240/270	/100	28

## Characteristic Curves



## Performance Tables and Dimensions

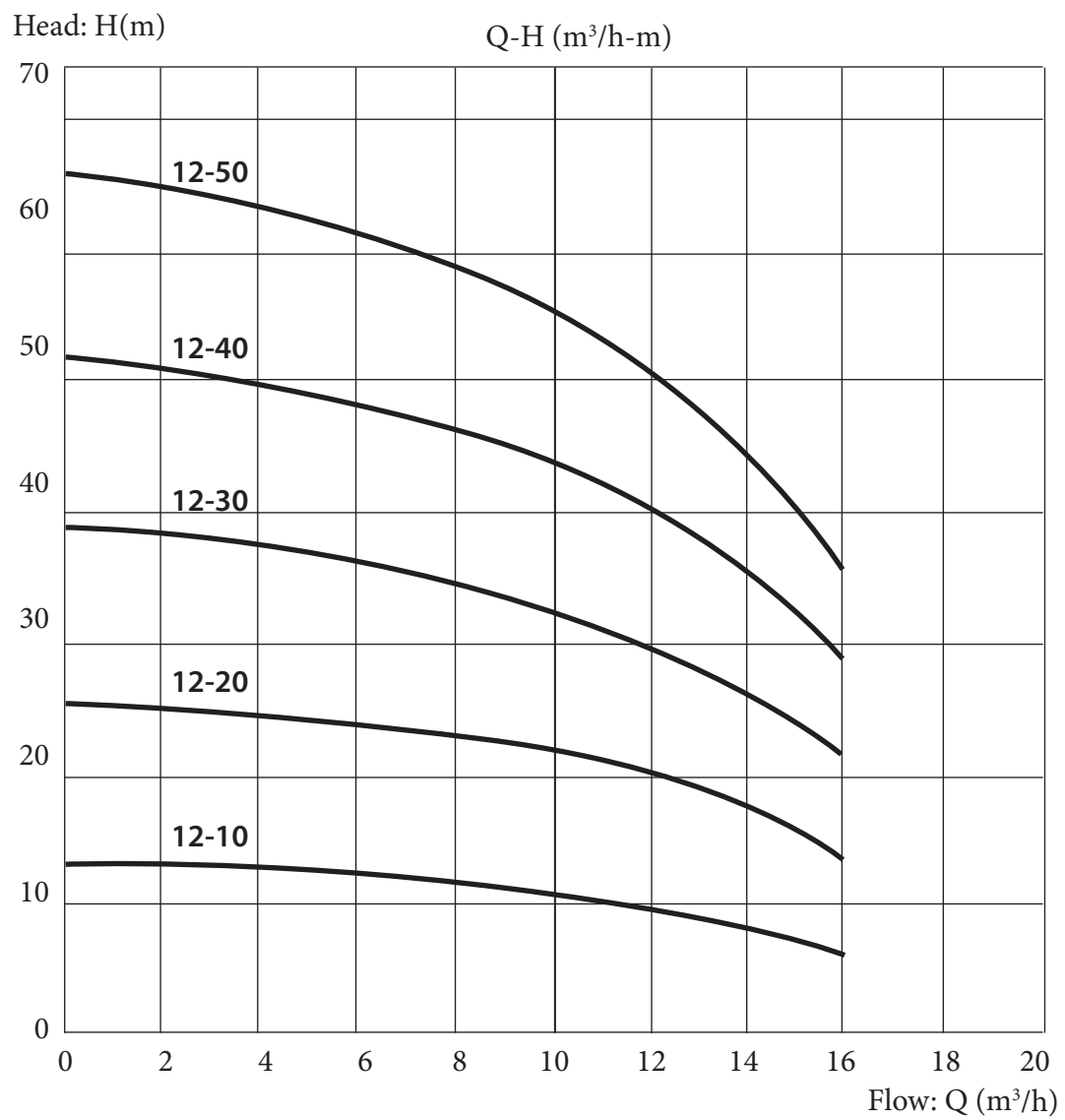
Model	Power(P2) kW	Q(m <sup>3</sup> /h)	7	8	9	10	11	12	13	14	15	16
XHC 12-10	0,75	H(m)	12	11,5	11	10,5	10	9,5	9	8	7	6
XHC 12-20	1,1		23	22,5	22	21	20,5	19,5	18,5	17	15,5	13
XHC 12-30	1,85		35	34,5	33,5	32,5	31	29,5	28	26	23,5	20
XHC 12-40	2,2		47	46	45	43,5	41,5	39,5	37,5	35	31,5	27,5
XHC 12-50	3		60	58	56,5	55	52,5	50	47	44	40	35



Model	Size								Weight(kg)
	L1	L2	L3	H	D	E	N	K	
XHC 12-10	395	126	108	230/265	170	228	118	/100	20
XHC 12-20	395	126	108	230/265	170	228	118	/100	21
XHC 12-30	460	156	138	230/265	170	228	118	/100	25
XHC 12-40	490	186	168	240/270	180	228	118	/100	29
XHC 12-50	555	216	198	/270	195	240	126		34

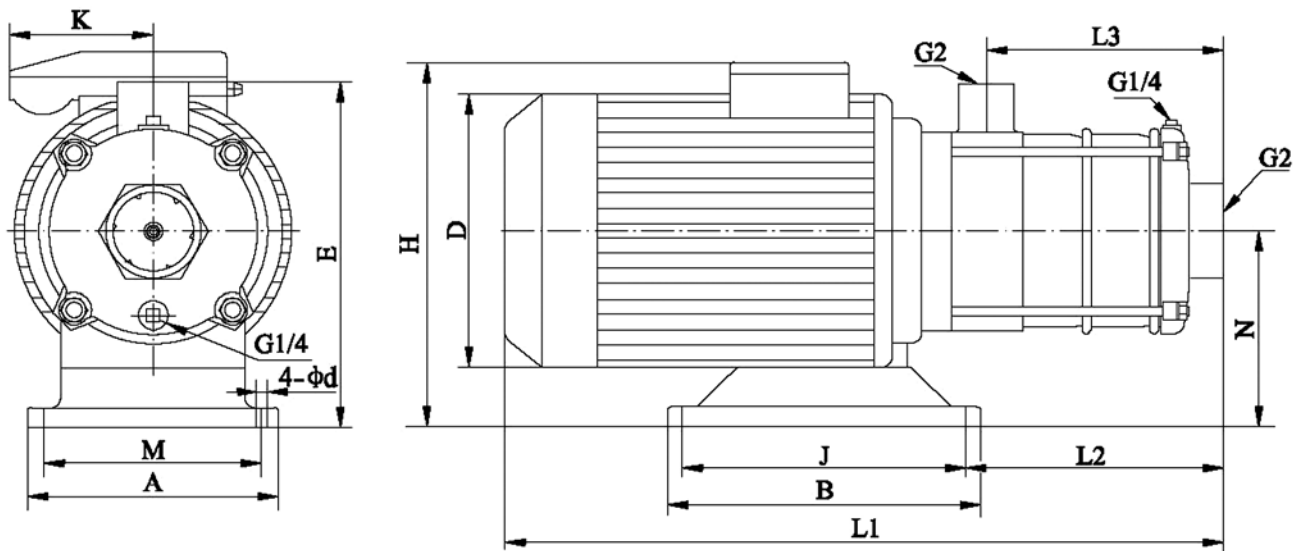


## Characteristic Curves



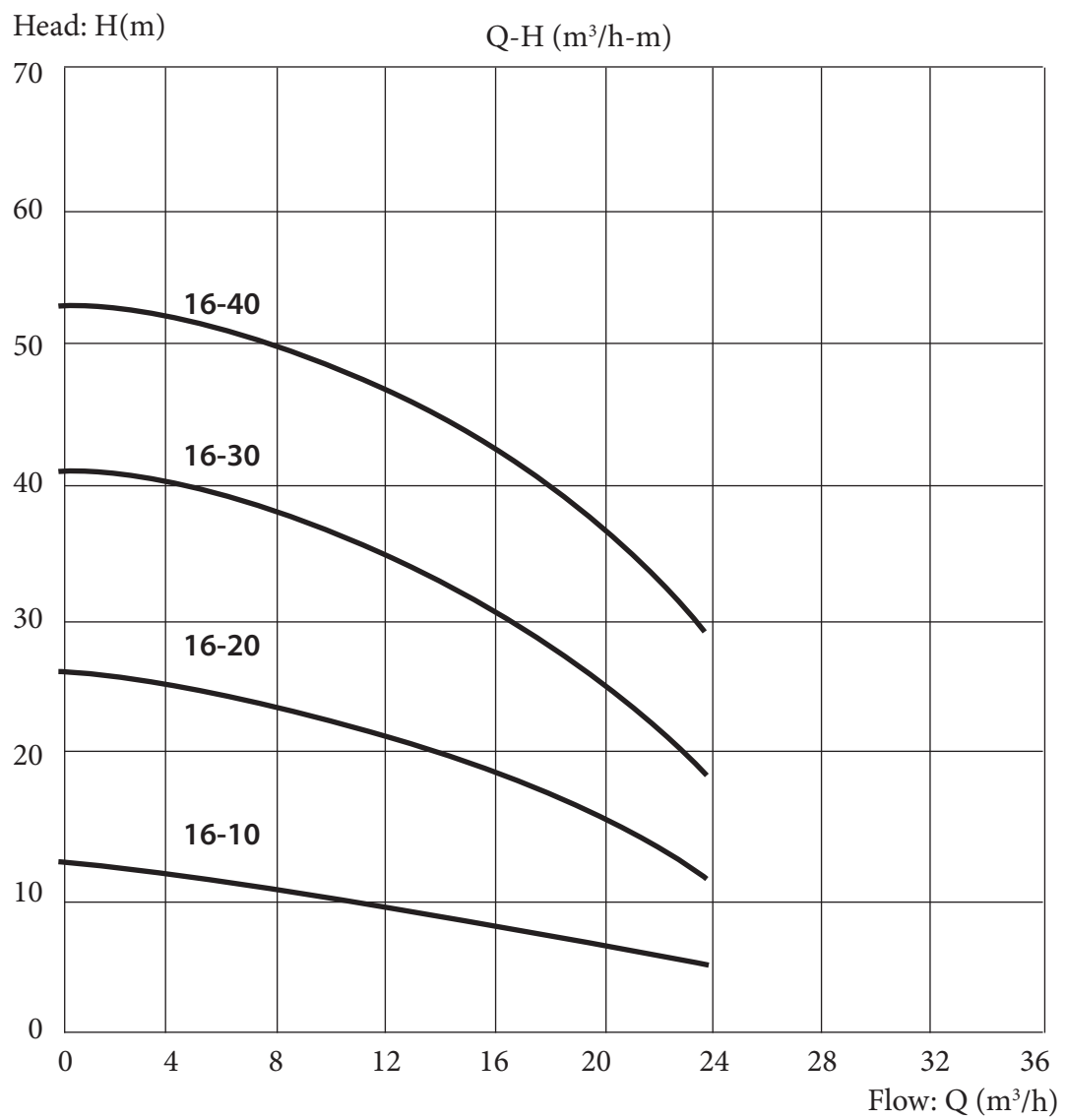
## Performance Tables and Dimensions

Model	Power(P2) kW	Q(m <sup>3</sup> /h)	8	10	12	14	16	18	20	22	24
XHC 16-10	1	H(m)	12	11,5	11	10,5	10	9	8	7	6
XHC 16-20	1,5		24	23	22	21	20	18	16	14	12
XHC 16-30	2,2		38	36	34	33	30	28	26	23	20
XHC 16-40	3		50	45	46	44	40	38	36	32	28



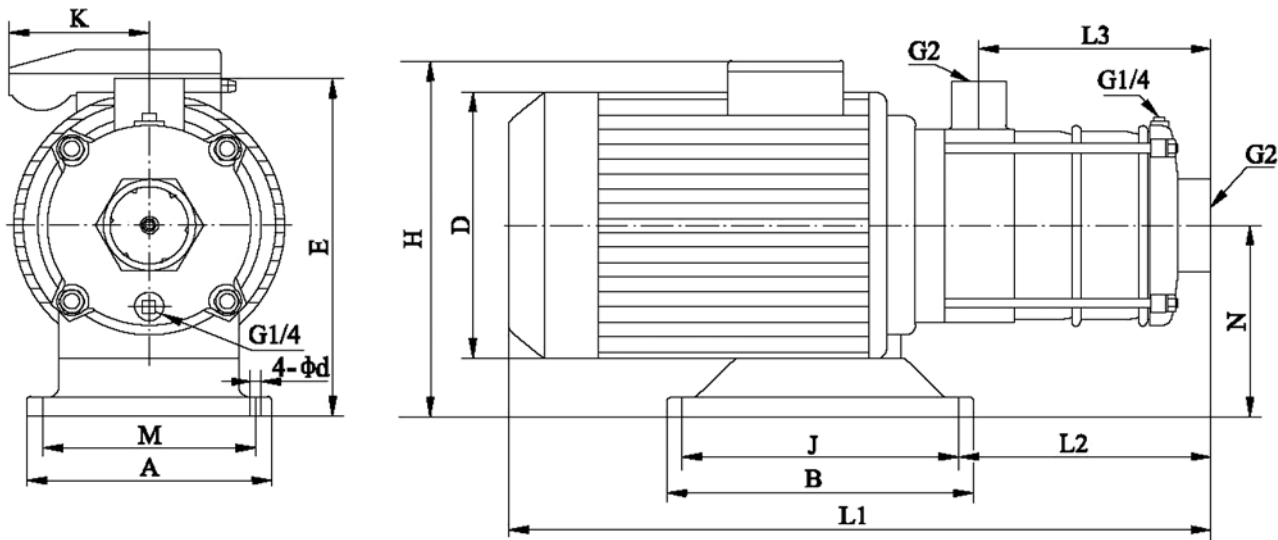
Model	Size												Weight(kg)	
	L1	L2	L3	H	D	E	N	A	M	B	J	d		K
XHC 16-10	423	151	126	230/265	170	227	117	130	108	160	138	9	/100	17,5
XHC 16-20	455	151	126	240/270	180	228	118	130	108	160	138	9	/100	27
XHC 16-30	561	196	171	270/	195	240	130	130	108	160	138	9		33
XHC 16-40	621	340	216	270/	220	230	120	230	190	170	140	12		41

## Characteristic Curves



## Performance Tables and Dimensions

Model	Power(P2) kW	Q(m <sup>3</sup> /h)	10	12	14	16	18	20	22	24	26	28
XHC 20-10	1	H(m)	13	12,5	12	11,5	11	10,5	10	9	8,5	7,5
XHC 20-20	1,85		25	24	23	22	21	20	18	16	14	12
XHC 20-30	3		39	38	36	35	33	31,5	30	27	24	21
XHC 20-40	4		50	48	46	44	42	40	36	32	28	24



Model	Size													Weight(kg)
	L1	L2	L3	H	D	E	N	A	M	B	J	d	K	
XHC 20-10	423	151	126	230/265	170	227	117	130	108	160	138	9	/100	17,5
XHC 20-20	455	151	126	240/270	180	228	118	130	108	160	138	9	/100	27
XHC 20-30	576	196	171	270/	220	230	120	230	190	170	140	12		41
XHC 20-40	621	340	216	270/	220	230	120	230	190	170	140	12		44

## Characteristic Curves

