



## Pump

- Electric pump adopt stainless steel with advanced stamping and weld processing technology
- Low noise standard motor with high-quality mechanical seal
- Efficient spiral-cased pump body design. Compact design.
- Open impeller, convey solid with diameter 19mm.
- Single phase motor mounted thermal protector (three-phase motor can be based on customer requirements to install thermal protector.)
- Multi-purpose, transport a wide range of liquid
- Connection mode: Thread, Hose connection
- Insulation class F, Protection IP55
- CE certification approval
- Available in AISI304 and AISI316

## Application

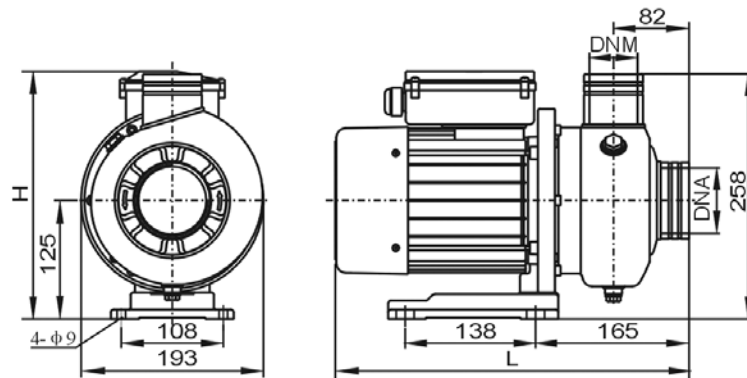
1. Convey solid suspension in food processing as vegetable, meat or fish cleaning
2. Clean vegetable, meat or fish meat
3. Clean bottle, can or glassware etc
4. Circulation and cleaning system for assembly
5. Processing and treatment on painting and general dirty liquid
6. Convey weak corrosive liquid
7. Swimming pool system, drainage system, farmland irrigation system.

## Operating Conditions

Medium temperature: 0...+70°C  
Environmental Temperature: less than 50°C  
Max. Operating pressure: 1.0 MPa

## Performance Tables and Dimensions

Model	P2 (kW)	Q(m <sup>3</sup> /h)	6	10	14	18	22	26	30	34	40
WTO 150	1,1	H(m)	11,5	10,5	9	7,5	6,5	5			
WTO 200	1,5		14	13	12	10,5	9,5	8	6		
WTO 300	2,2		16,7	16,5	15,5	14,5	13,5	12,5	11	10	
WTO 400T	3		20	19	18,5	17,5	17	16	15	14	13



Model	Power P2 (kW)	L	H (Single phase)	H (Three phase)	DNA	DNM
WTO 150	1,1	378	265	235	G2	G2
WTO 200	1,5	378	265	235	G2	G2
WTO 300	2,2	415	242	242	G2-1/2	G2
WTO 400T	3	432	/	242	G2-1/2	G2

## Characteristic Curves

