

Pump

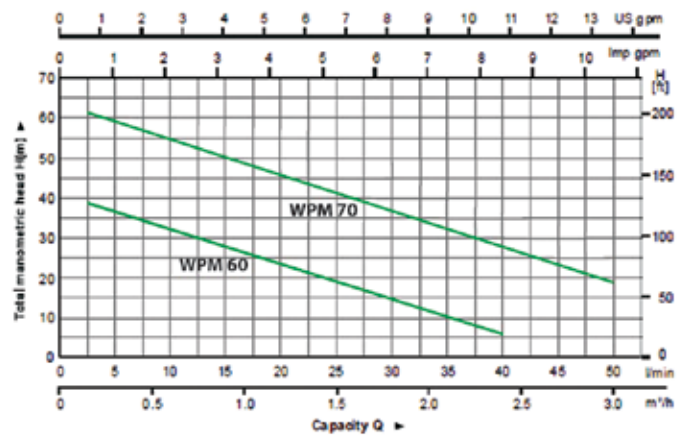
Peripheral pump
Liquid pumped temperature up to 60°C
Clean water, non-aggressive liquid

Motor

Single phase, 50Hz/60Hz
Insulation class: 130
Protection class: IP44
Ambient temperature up to 40°C
With thermal overload protection
Copper winding

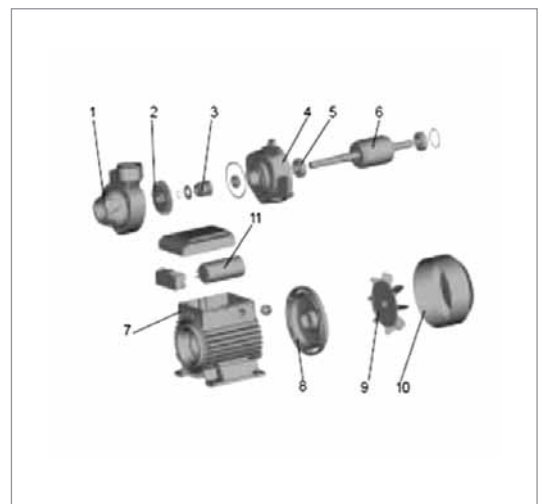


Hydraulic Performance Curve



Parts Information of Peripheral Pump

Part	Material	Remark
1	Pump body	Cast iron Electrophoretic treatment, ABS
2	Impeller	Brass
3	Mechanical seal	Silicon carbide/Graphite
4	Support	Cast iron Electrophoretic treatment, ABS
5	Bearing	High quality
6	Rotor	Cold- rolled sheet Welded stainless steel shaft
7	Stator	Aluminum casing Cold-rolled sheet stator
8	End plate	Aluminum
9	Fan	Noryl
10	Fan cover	Iron
11	Capacitor	High quality



Specifications

Model	Power		Inlet/Outlet	Max. Flow (L/min)	Max. Head (m)	Max. Suct (m)
	(kW)	(HP)				
WPM 60	0.37	0.5	1" x 1"	40	40	8
WPM 70	0.6	0.8	1" x 1"	50	65	8