

Pump

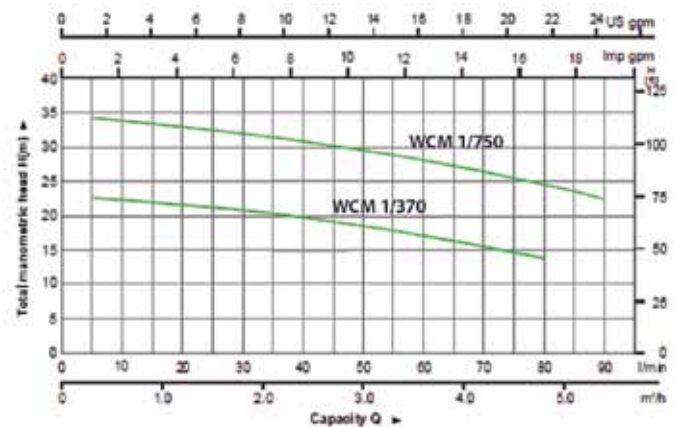
Centrifugal pump
Liquid pumped temperature up to 60°C
Clean water with little impurities, non-aggressive liquid

Motor

Single phase/Three-phase, 50Hz/60Hz
Insulation class: 130
Protection class: IP44
Ambient temperature up to 40°C
With thermal overload protection
Copper winding



Hydraulic Performance Curve



Parts Information of Centrifugal Pump

Part	Material	Remark
1	Pump body	Cast iron Electrophoretic treatment
2	Impeller	Brass/Noryl/Stainless steel
3	Mechanical seal	Silicon carbide/Graphite
4	Bracket cover	Stainless steel
5	Support	Aluminum
6	Rotor	Cold-rolled sheet Welded stainless steel shaft
7	Bearing	High quality
8	Stator	Aluminum casing Cold-rolled sheet stator
9	Capacitor	High quality
10	End plate	Aluminum
11	Fan	Noryl
12	Fan cover	Iron



Specifications

Model	Power		Inlet/Outlet	Max. Flow (L/min)	Max. Head (m)	Max. Suct (m)
	(kW)	(HP)				
WCM 1/370	0.37	0.5	1" x 1"	90	23	8
WCM 1/750	0.75	1.0	1" x 1"	100	36	8

Pump

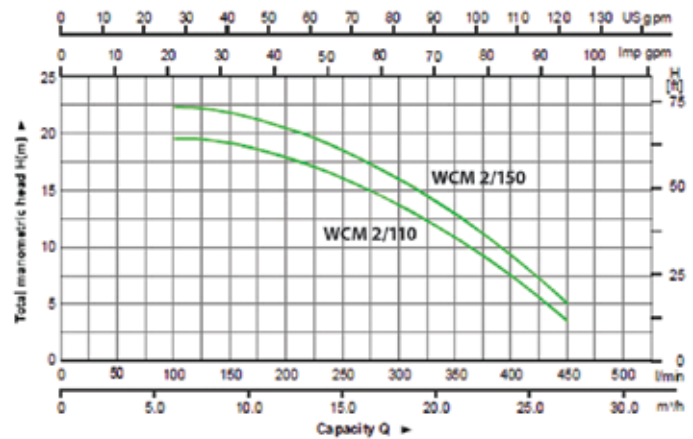
Centrifugal pump
 Liquid pumped temperature up to 60°C
 Clean water with little impurities, non-aggressive liquid, relative high flow rate, pump water from lake, river, well
 Medium and low head can meet the demands of various industrial and agricultural fields.

Motor

Single phase/Three-phase, 50Hz/60Hz
 Insulation class: 130
 Protection class: IP44
 Ambient temperature up to 40°C
 With thermal overload protection
 Copper winding

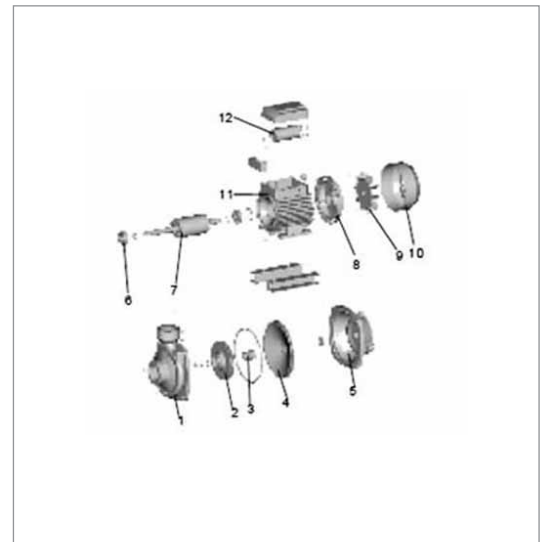


Hydraulic Performance Curve



Parts Information of Centrifugal Pump

Part	Material	Remark
1	Pump body	Cast iron Electrophoretic treatment
2	Impeller	Brass
3	Mechanical seal	Silicon carbide/Graphite
4	Bracket cover	Cast iron
5	Support	Aluminum
6	Bearing	High quality
7	Rotor	Cold-rolled sheet Welded stainless steel shaft
8	End plate	Aluminum
9	Fan	Noryl
10	Fan cover	Iron
11	Stator	Aluminum casing Cold-rolled sheet stator
12	Capacitor	High quality



Specifications

Model	Power		Inlet/Outlet	Max. Flow (L/min)	Max. Head (m)	Max. Suct (m)
	(kW)	(HP)				
WCM 2/110	1.1	1.5	2"x2"	600	20.2	8
WCM 2/150	1.5	2.0	2"x2"	600	22.5	8

Pump

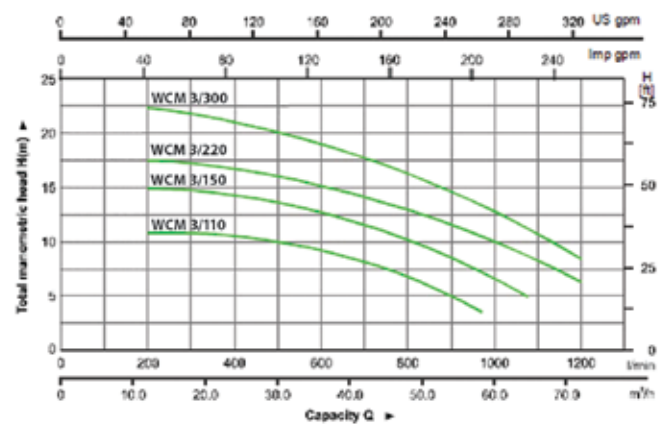
Centrifugal pump
 Liquid pumped temperature up to 60°C
 Clean water with little impurities, non-aggressive liquid,
 relative high flow rate, pump water from lake, river, well
 Medium and low head can meet the demands of various
 industrial and agricultural fields.

Motor

Single phase/Three-phase, 50Hz/60Hz
 Insulation class: 130
 Protection class: IP44
 Ambient temperature up to 40°C
 With thermal overload protection
 Copper winding

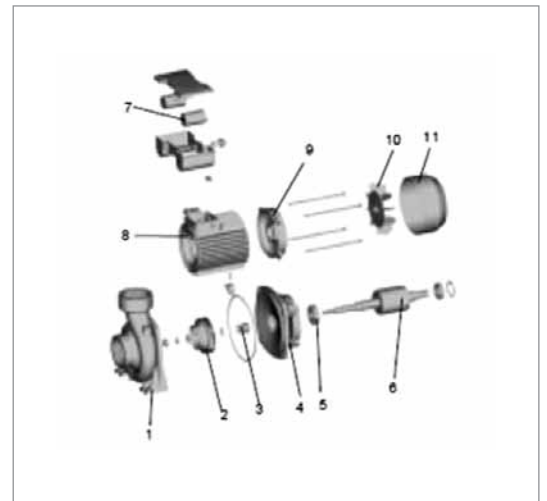


Hydraulic Performance Curve



Parts Information of Centrifugal Pump

Part	Material	Remark
1	Pump body	Cast iron Electrophoretic treatment
2	Impeller	Brass
3	Mechanical seal	Silicon carbide/Graphite
4	Support	Cast iron Electrophoretic treatment
5	Bearing	High quality
6	Rotor	Cold-rolled sheet Welded stainless steel shaft
7	Capacitor	High quality
8	Stator	Aluminum casing Cold-rolled sheet stator
9	End plate	Aluminum
10	Fan	Noryl
11	Fan cover	Iron



Specifications

Model	Power		Inlet/Outlet	Max. Flow (L/min)	Max. Head (m)	Max. Suct (m)
	(kW)	(HP)				
WCM 3/110	1.1	1.5	3"x 3"	1100	11.9	8
WCM 3/150	1.5	2.0	3"x 3"	1200	14.7	8
WCM 3/220	2.2	3.0	3"x 3"	1300	18.5	8
WCM 3/300	3.0	4.0	3"x 3"	1300	21.8	8