

Application

- Suitable for the places with long drainage distance and small pipe diameter, such as villages, farms, villa, etc.
- Suitable for wastewater drainage in residential and entertainment buildings where the sewage contains dirt, cloth, fiber, etc.

Features

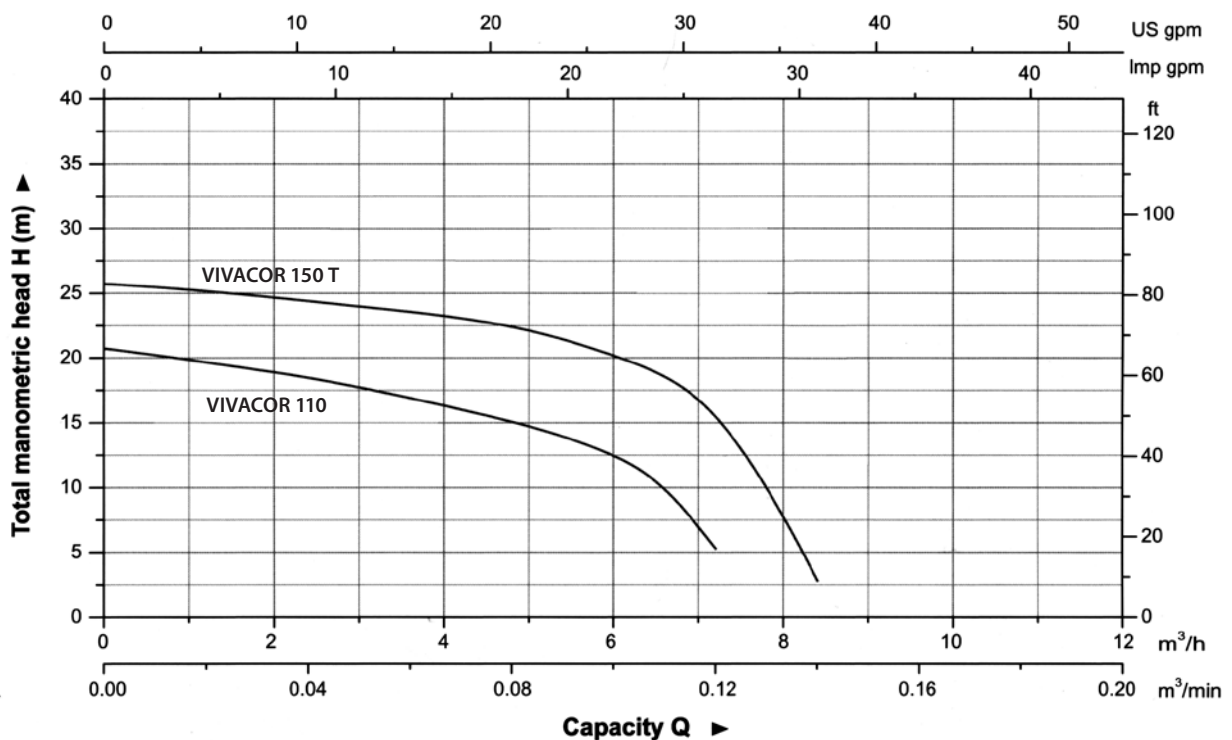
- The pump has a semi-open impeller design with a reliable grinding system
- The large-diameter impeller generates a high pressure and the grinding system grinds solids into small pieces, which can be drained without clogging the pipes
- The pumps can be connected to pipes directly or to an auto-coupling system

Working Conditions

- Liquid Temperature: 0-40°C (32-104°F)
- Max. Immersion Depth: 5 m

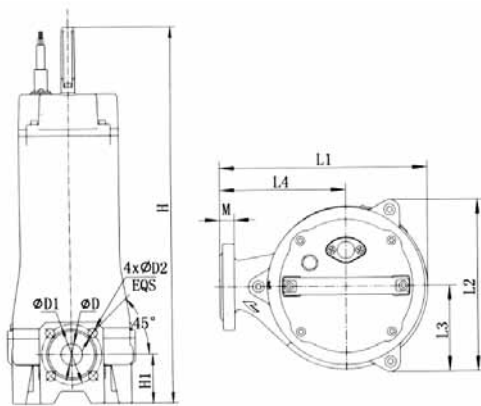
Motor

- Frequency/Pole number: 50 Hz/2
- Insulation class: B
- Protection class: IP 68
- Bearing: Ball Type
- Mechanical seal: Double mechanical seals



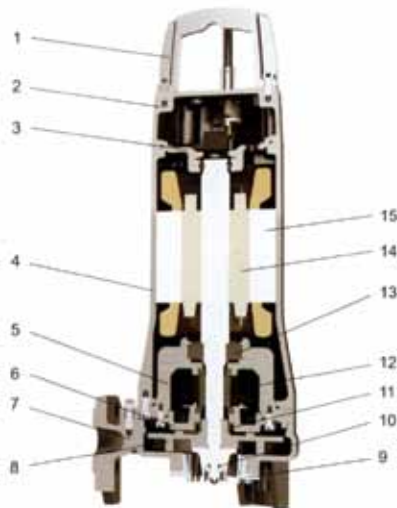
Performance Table

Model	Power kW (HP)	Discharge mm (inch)	Phase Ø	Rated Flow (m ³ /h)	Rated Head (m)	Solid Passage mm
VIVACOR 110	1,1 (1,5)	32 (1 1/4")	1	3,6	17	-
			3			
VIVACOR 150 T	1,5 (2)	32 (1 1/4")	3	3,6	23	-



Dimensions

Model	Phase Ø	L1	L2	L3	L4	H	H1	D	D1	D2	M
VIVACOR 110	3	231	191	96	140	533	73	32	90	14	16
	1										
VIVACOR 150 T	3	231	191	96	140	557	73	32	90	14	16



Materials Table

No.	Part	Material
1	Handle	ZG304
2	Upper cover	HT200
3	Upper bearing seal	HT200
4	Motor body	HT200
5	Oil chamber	HT200
6	Pump cover	HT200
7	Pump body	HT200
8	Impeller	HT200

No.	Part	Material
9	Cutting ring	AISI304
10	Radia cutter	AISI304
11	Oil seal	
12	Mechanical seal	Upper: Carbon/Ceramic Lower: Silicon/Silicon
13	Bearing	
14	Rotor	
15	Stator	