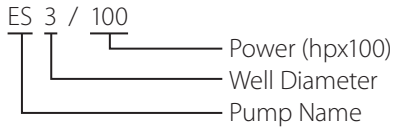


Technical Data



Pump

Qmin: 3 (m³/h)
 Capacity from 0,5 to 118 (m)
 Total head from 115 to 118 (m)
 Highest temperature of liquid: 35°C
 Brass Impeller,
 Monoblock pump,
 Monophase,
 25 m round black cable,
 Common control box,
 Max. immersion depth: 20m

Motor

Insulation class: B
 Protection grade: IP68

Main Uses

- For 3" wells
- Pumping clear water in to: Detached houses-Country houses and farms-Cottages.
- Moving water in fountains.
- Rain imigation.
- Feeding pressure systems.
- Filling and emptying tanks.

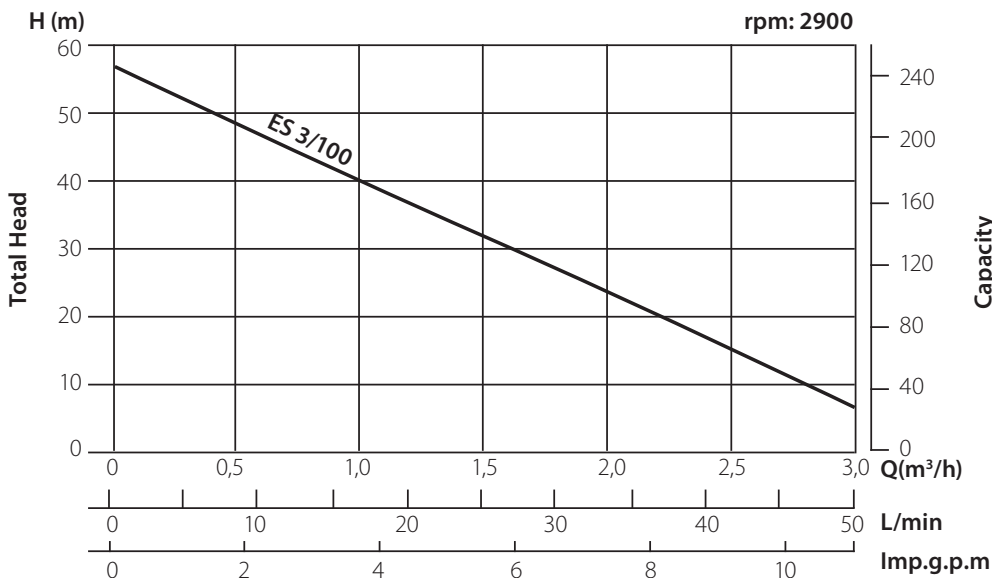
Construction Features

- Oil-cooled motor with compensating diaphragm
- Graphite mechanical seal protected by sand proof ring



Performance Table

Type Single Phase 220-240 V - 50 Hz	Motor Power		Capacity and Head								Dimensions
			m ³ /h	0	0,5	1	1,5	2	2,5	3	Length
	l/min	0	8	17	25	33	42	50	mm		
	kW	Hp	Imp.g.p.m	0	1,8	3,6	5,4	7,2		9	11
ES 3/100	0,75	1	Head (m)	57	48	40	32	25	17	7	589



Brass Impeller, Monoblock Pump, Monophase, Including 25 m Round Black Cable And Common Control Box

Technical Data



Motor

Continuous service
 Power: 0,75 ~ 2 Hp
 0,55 ~ 1,5 Hp Single phase
 Insulation class: B
 Protection Grade: IP 58

Pump

- Brass Impeller,
- Monoblock pump,
- Monophase,
- 25 m round black cable
- Common control box
- Max. immersion depth: 20 m

Construction Features

- Shaft, jacket and hydraulic in stainless steel
- Brass impeller
- Built-in non- return valve
- Thermoplastic parts
- Oil-cooled motor with compensating diaphragm
- Graphite mechanical seal protected by sand proof ring
- ES 4/100, ES 4/150 and ES 4/200 parts are non -toxic and non-polluting
- Thanks to special construction features, both installation and maintenance of ES 4/100, ES 4/150 and ES 4/200 are fast and easy.

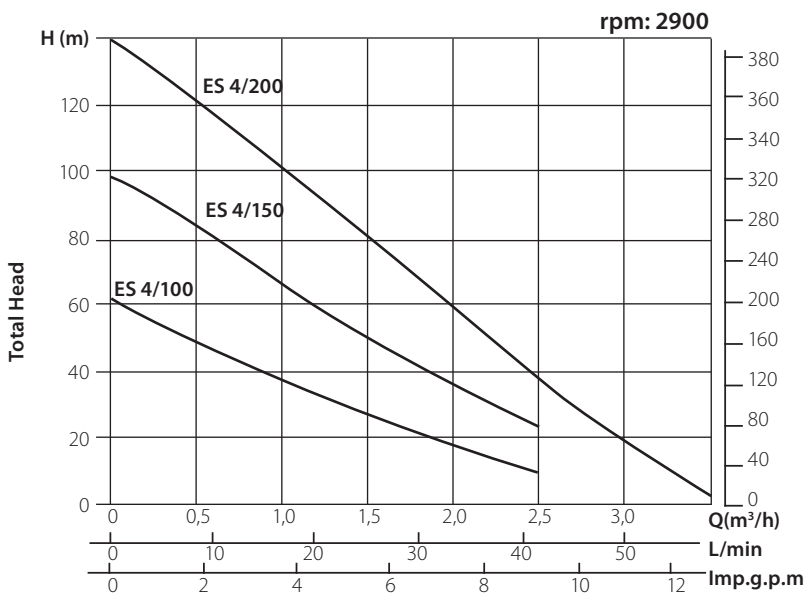


Main Uses

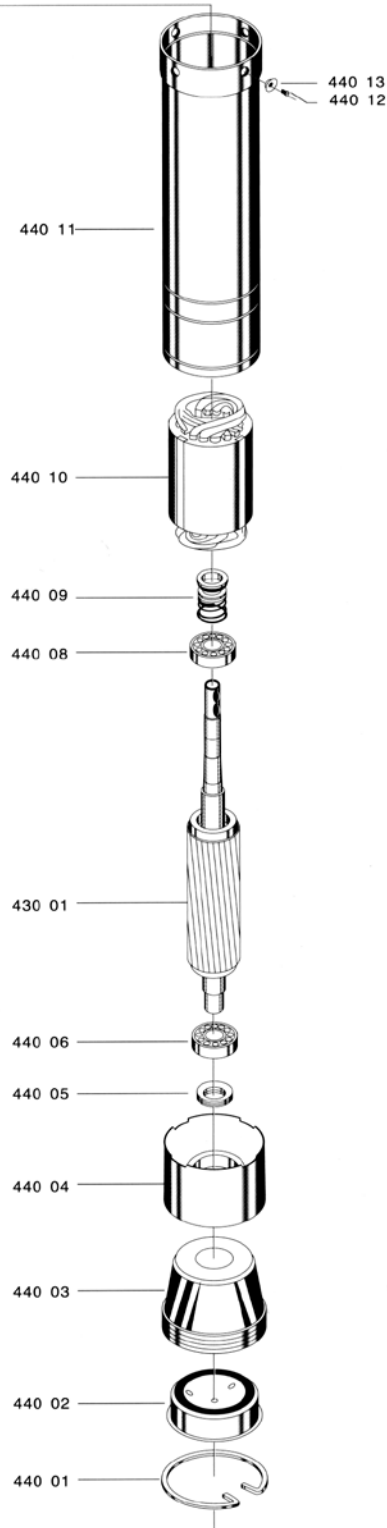
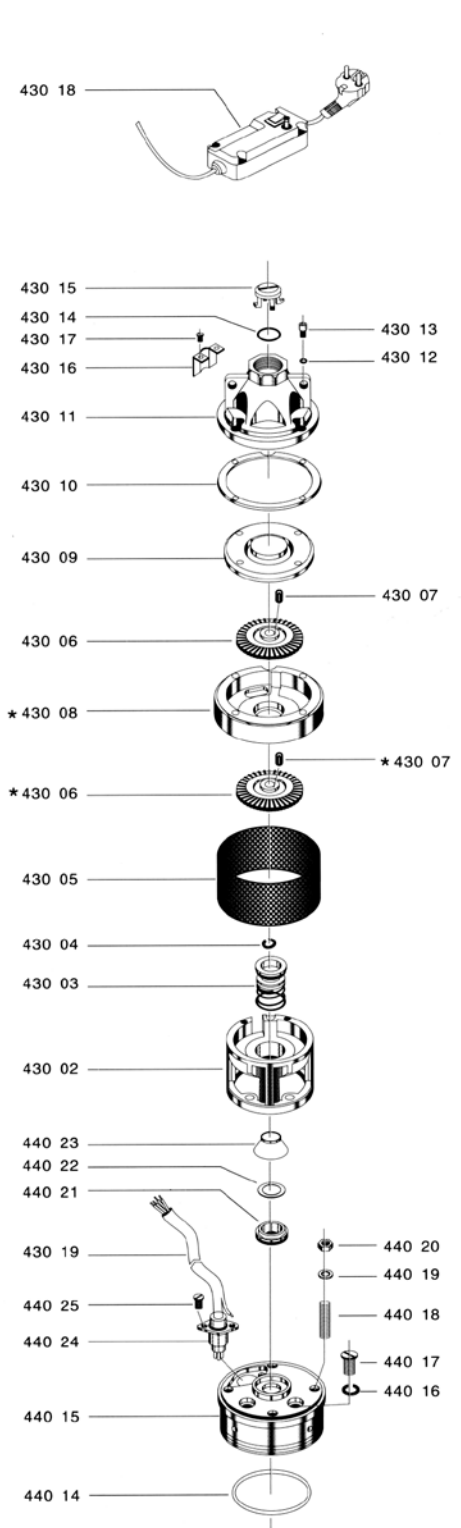
- For 4" wells
- Pumping clear water in to: Detached houses- Country houses and farms-Cottages.
- Moving water in fountains.
- Rain imigation.
- Feeding pressure systems.
- Filling and emptying tanks.

Performance Table

Type Single Phase 220-240 V - 50 Hz	Motor Power		Capacity and Head								Dimensions	
			m ³ /h	0	0,5	1	1,5	2	2,5	3,5	Length	
	kW	Hp	l/min	0	8,3	16,6	24,9	33,2	41,5	58,3	mm	
ES 4/100	0,75	1	Imp.g.p.m	0	1,8	3,6	5,4	7,2	9	13	Head (m)	485
ES 4/150	1,1	1,5	61	99	120	100	81	60	37	3		552
ES 4/200	1,5	2	140	120	100	81	60	37	3	606		



The structure, code and name of the pump



- 430.01 Motor Rotor (St. Steel)
- 430.02 Suction Support
- 430.03 Mechanical Seal
- 430.04 Shaft Ring
- 430.05 Filter Net
- 430.06 Impeller (Brass)
- 430.07 Key
- 430.08 Pump Body
- 430.09 Pump Cover
- 430.10 Gasket
- 430.11 Discharge Chamber (Brass)
- 430.12 Spring Gasket
- 430.13 Screw
- 430.14 "O" Ring
- 430.15 Valve
- 430.16 Cable Cover
- 430.17 Screw
- 430.18 Starting Controller
- 430.19 Cable (25 m)

- 440.01 Clamping Spring
- 440.02 End Cover
- 440.03 Rubber Cup
- 440.04 Bearing Set
- 440.05 Thrust Bearing
- 440.06 Deep Groove Ball Bearings
- 440.08 Deep Groove Ball Bearings
- 440.09 Mechanical Seal
- 440.10 Motor Stator (St. Steel)
- 440.11 Motor Pipe (St. Steel)
- 440.12 Screw
- 440.13 Locking Ring
- 440.14 "O" Ring
- 440.15 Oil Chamber (Brass)
- 440.16 "O" Ring
- 440.17 Screw
- 440.18 Stud
- 440.19 Washer
- 440.20 Nut
- 440.21 Static Ring
- 440.22 Gasket
- 440.23 Sand Proof Cap
- 440.24 Cable Shield Sleeve
- 440.25 Screw

* Only for ES 4/150