

DEEP 370M

Pump

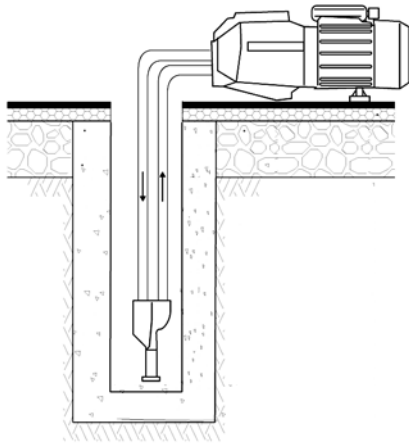
- Jet pump
- Self priming
- Liquid pumped temperature up to 60°C
- Clean water with little impurities, non-aggressive liquid
- High head

Motor

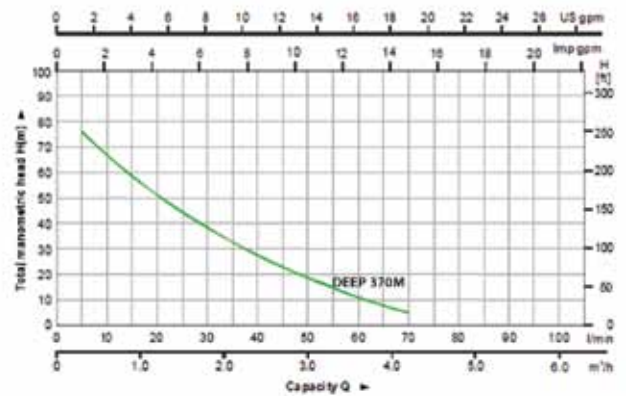
- Single phase/Three-phase, 50Hz/60Hz
- Insulation class: 130
- Protection class: IP44
- Ambient temperature up to 40°C
- With thermal overload protection
- Copper winding



Installations

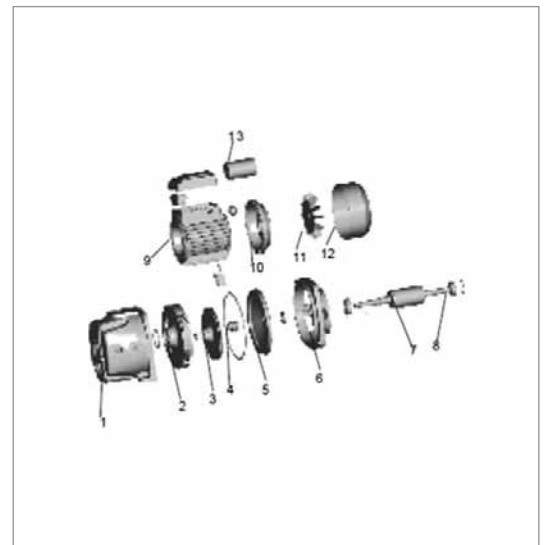


Hydraulic Performance Curve



Parts Information of Jet Pump

Part	Material	Remark
1	Pump body	Cast iron Electrophoretic treatment
2	Discharge cover	Noryl
3	Impeller	Brass
4	Mechanical seal	Silicon carbide/Graphite
5	Bracket	Cast iron Electrophoretic treatment
6	Bearing	High quality
7	Rotor	Cold-rolled sheet Welded stainless steel shaft
8	Stator	Aluminum casing Cold-rolled sheet stator
9	End plate	Aluminum
10	Fan	Noryl
11	Fan cover	Iron
12	Capacitor	High quality



Specifications

Model	Power		Inlet/Outlet	Max. Flow (L/min)	Max. Head (m)	Max. Suct (m)
	(kW)	(HP)				
DEEP 370M	0.75	1.0	2"x 1"x 1"	85	80	25