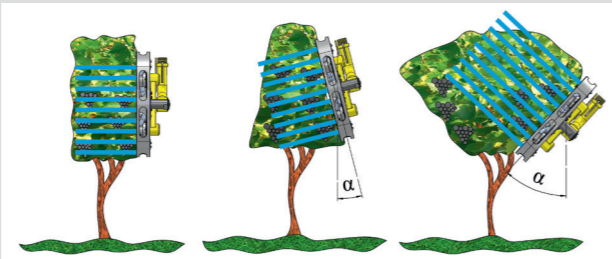


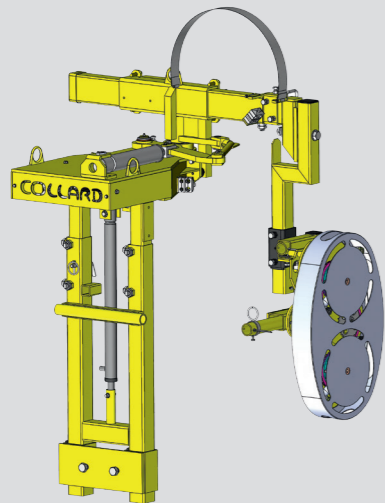


THE RANGE OF LEAF REMOVERS FOR INTER ROW TRACTORS

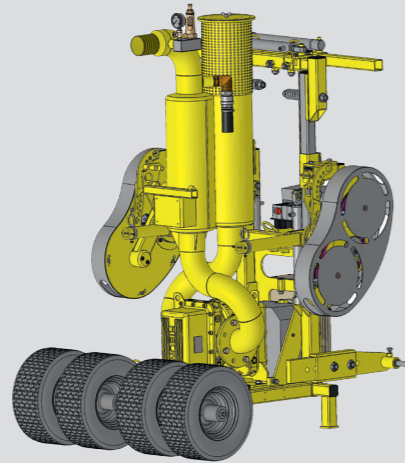
The defoliating head is adjustable in angle



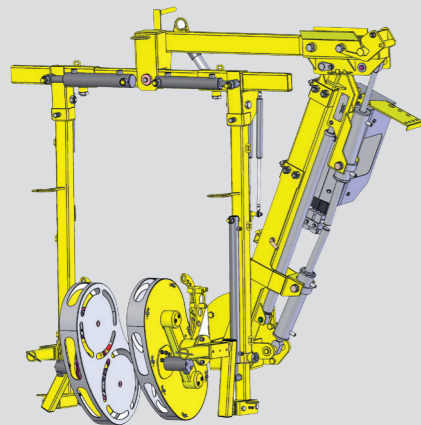
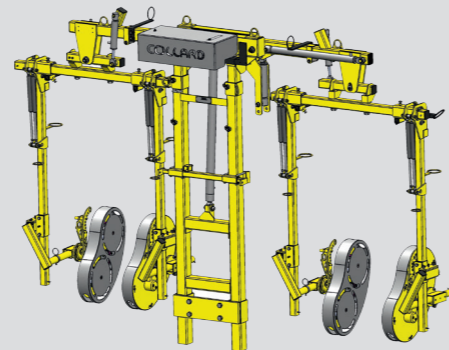
E1100 FR
1 half row reversible: R/H or L/H



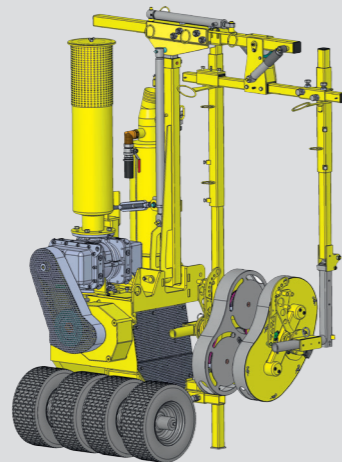
E 2200 - 3 P
2 half rows at the rear



E 3200 iF7
2 rows at the front



E 3000 LPZ
1 row at the front on polyvalent frame LZP



E 3000 - 3 PZ
1 row at the rear



A whole range on straddle tractors and harvesting machines

QUALITY & STRENGTH

RESPECT OF THE FRUITS

FROM THE FALLING OF THE FLOWER HEADS TO THE HARVEST

COLLARD® LEAF REMOVER WITH DOUBLE FLOW* OF AIR



Leaf removal is achieved by a double flow* of low-pressure air, produced by a booster, which is blown through the leaves at fruit level by rotating nozzles, that removes the leaves from both the outside and the interior of the row, achieving selective leaf removal around the grapes.

* COLLARD® Patent

COLLARD® Company reserves the right to modify without notice the characteristics of its manufacture

YOUR DEALER



ETS **COLLARD**® S.A.
CS 40001 - 11, rue Jeanne d'Arc
51150 BOUZY CEDEX - FRANCE
Tél. (33)3 26 57 01 12 - Fax (33)3 26 57 09 87
www.collard.eu

Conception Réalisation - iESCP (10/2018)



ELLIPSE-MULTIROTOR®

AN ADVANCED TECHNOLOGY



WHY REMOVE LEAVES ?

This technique consists in removing leaves from around the bunches of grapes:

- Better aeration of the fruit zone,
- Lower levels of acid rot and botrytis attack,
- Better penetration of spray treatments.

The advantages of early leaf removal recognised by the ITV and the Chambers of Agriculture:

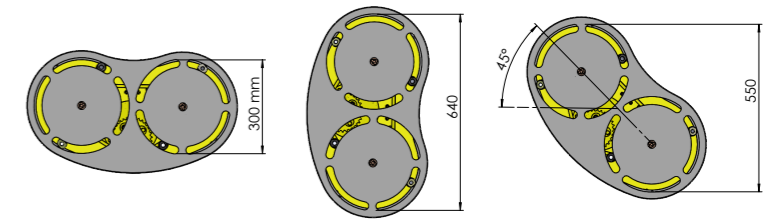
Besides the advantages mentioned above, removing leaves as early as possible (setting of the fruit) also enables the grapes to benefit from early exposure to sunlight:

- ▶ The young fruit is enriched in anthocyanins and phenolic compounds. One can thus obtain grapes which are richer in matter and more suitable for producing great wines;
- ▶ Tougher skin which is more effective in preventing the installation of grey and acide rot;
- ▶ Less risk of sun scorching as the work is carried out during a period when the temperatures are lower and the rays of the sun are less aggressive. With this early exposure to the sun the skin has time to get tougher and the grapes are then no longer susceptible to sun scorching.



◀ L'ELLIPSE-MULTIROTOR® COLLARD®

It is compact to "slip" in the vegetation. Its rotary joint* air distribution system is highly efficient and facilitates the orientation of the heads.

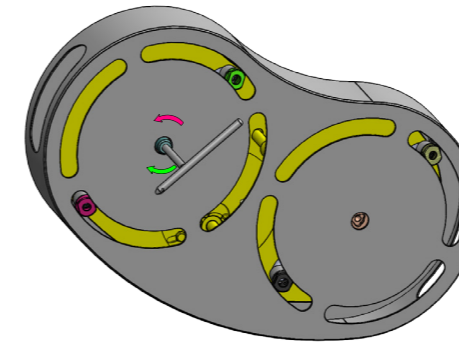


Other advantages

- ▶ The bunches are cleaned by the removal of dead flower heads and vine moth worms. The aeration of the fruit zone and exposure of the bunches to the sun prevent rot and improve the efficiency of treatments.
- ▶ **EARLY** removal of flowers caps has a direct impact on wine quality;
- ▶ The **COLLARD®** pneumatic system also removes leaves from inside the canopy, effectively cleaning the fruit zone.

L'ELLIPSE-MULTIROTOR® COLLARD®

It is equipped with a system for selecting the air nozzle* according to the desired removal intensity. For example, to go from Ø12 to Ø14 or Ø10 to Ø18, ... ▼



▲ Pressure regulator with safety valve.

A REMARKABLE EFFICACY

FROM THE FALLING OF THE FLOWER HEADS TO THE HARVEST:



FRUIT SETTING

- Leaf removal on one or both sides.
- Cleaning of the bunches of grapes.
- Elimination of dead flower heads.
- Facilitates localised treatments.
- Discourages botrytis and budworms.



RIPENING

- Red wine varieties:** improvement in colouring matters and tannins.
- White wine varieties:**
- Dry white wines: improvement in the sensory qualities of the wines.
 - Sweet white wines: possibility of successive selective harvests.



HARVESTING BY HAND

- Removes the leaves.
- Removes moisture.
- Cleans the fruit zone and frees the fruit.
- Potential time saving of 25 to 40 %!



- ◀ Control and adjustment of the speed rotation of the air distributors.

- ◀ Selection of the face to removal.

* COLLARD® Patent



▲ 3 way valve.



▲ Air distributors drive by motors and drained. Integrated electronic speed sensor.