

# VARIABLE CAPACITY TANKS WITH LEGS

Article Nr.	Content Lt	D mm	H mm	Z mm	Z mm	P mm	F mm	L mm	B mm
IE0700	*50	398	500	750			250	30	
IE0701	*100	398	850	1130			280	30	
IE0702	*150	478	1000	1280			280	30	
IE0703	*200	525	1000	1280			280	30	
IEx704	300	637	1000	1315		400	315	80	180
IEx705	400	637	1250	1565		525	315	80	180
IEx707	500	860	1000	1315		400	315	80	180
IEx708	600	796	1250	1565		525	315	80	180
IEx709	700	796	1500	1815		650	315	150	180
IEx711	850	955	1250	1565		525	315	80	260
IEx712	1.000	955	1500	1850		650	350	150	260
IEx714	**1.200	1050	1500	1850	2250	650	350	150	260
IEx715	**1.400	1115	1500	1850	2250	650	350	150	260
IEx732	**1.900	1115	2000	2350	2750	900	350	180	260
IEx733	**2.400	1115	2500	2850	3250	950	350	250	260
IEx734	***1.800	1274	1500	1850	2250	650	350	150	260
IEx717	***2.500	1274	2000	2350	2780	900	350	180	260
IEx735	***3.100	1274	2500	2850	3250	950	350	250	260
IEx716	***2.100	1370	1500	1850	2250	650	350	180	260
IEx736	***2.900	1370	2000	2350	2750	900	350	180	260
IEx737	***3.600	1370	2500	2850	3250	950	350	250	260
IEx718	***3.100	1433	2000	2350	2750	900	350	250	260
IEx719	***3.500	1433	2250	2600	3000	950	350	250	260
IEx738	***3.900	1433	2500	2850	3250	950	350	250	260
IEx739	***3.900	1592	2000	2400	2800	900	400	250	260
IEx720	***4.400	1592	2250	2650	3050	950	400	250	260
IEx721	***4.900	1592	2500	2900	3300	950	400	250	260
IEx722	***5.400	1592	2750	3150	3550	950	400	250	260
IEx723	***5.900	1592	3000	3400	3800	950	400	250	260
IEx740	***4.700	1751	2000	2400	2800	900	400	250	260
IEx724	***5.900	1751	2500	2900	3300	950	400	250	260
IEx725	***6.500	1751	2750	3150	3550	950	400	250	260
IEx726	***7.100	1751	3000	3400	3800	950	400	250	260
IEx741	***6.600	1850	2500	2900	3700	950	400	250	260
IEx727	***7.300	1850	2750	3150	3700	950	400	250	260
IEx728	***8.000	1850	3000	3400	4000	950	400	250	260
IEx729	***8.500	2100	2500	2900	3400	950	400	250	260
IEx730	***9.400	2100	2750	3150	3650	950	400	250	260
IEx731	***10.200	2100	3000	3400	3900	950	400	250	260

# VARIABLE CAPACITY TANKS

Article Nr.	Content Lt	D mm	H mm	Z1 mm	Z2 mm	P mm	F mm
IS0751	* 100	398	850	850		30	1080
IS0752	* 150	478	1000	1000		30	1108
IS0753	* 200	525	1000	1000		30	1129
ISx754	300	637	1000	1000		70	1186
ISx761	400	637	1250	1250		70	1403
ISx755	500	860	1000	1000		70	1319
ISx756	600	796	1250	1250		70	1482
ISx757	700	796	1500	1500		70	1700
ISx758	1000	955	1500	1500		70	1780
ISx759	1400	1115	1500	1500		70	1870
ISx760	** 2000	1370	1500	1500	1950	70	2031
ISx762	** 3000	1433	2000	2000	2450	70	2460

**Material:** W.Nr. 1.4301 BA (AISI 304 – V2A)

**Surface:** outside marble finish, inside lild polished

**Standard equipment:**

Drain port connection 5/4" with ball valve 5/4"-5/4" and cap (\*up to 200lt 1/2" valve)

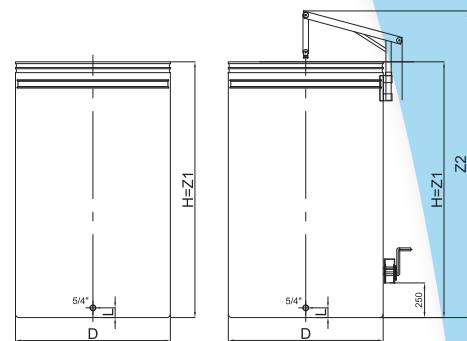
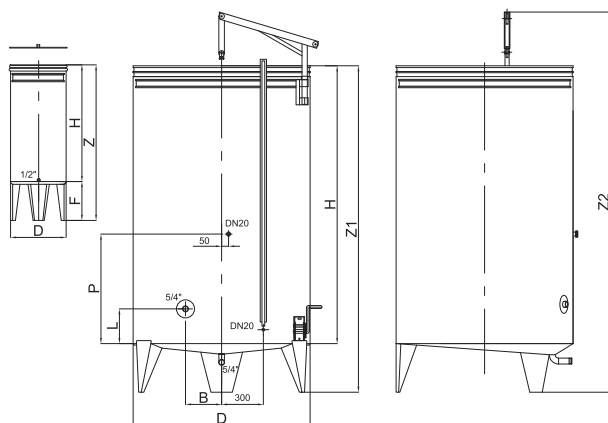
Floating lid including pressure relief valve A10

Inflatable gasket including pump with manometer

Dust protection lid (up to 1400lt)

Crane for floating lid (\*\*from 2000lt)

Pulley for floating lid (\*\*\*from 2000Lt)



**Material:** W.Nr. 1.4301 BA (AISI 304 – V2A)

**Surface:** outside marble finish, inside lild polished

**Standard equipment:**

3 legs

Bottom concentric (up to 200lt flat bottom)

Drain port ball valve 5/4"-5/4" (\*up to 200lt 1/2" valve)

Racking port ball valve 5/4"-5/4"

Sampling valve DN20

Floating lid including pressure relief valve A10

Inflatable gasket including pump with manometer

Dust protection lid (up to 1000lt)

Crane for floating lid (\*\*from D1050mm)

Level gauge DN20 (\*\*from 1200lt)

Pulley for floating lid (\*\*\* from D1274mm)